

Single-function 1 output

EAN code:

RFSAI-11B-SL: 8595188183758

Multi-function 1 output

RFSAI-61B-SL: 8595188182041

Multi-function 2 outputs

RFSAI-62B-SL: 8595188182010

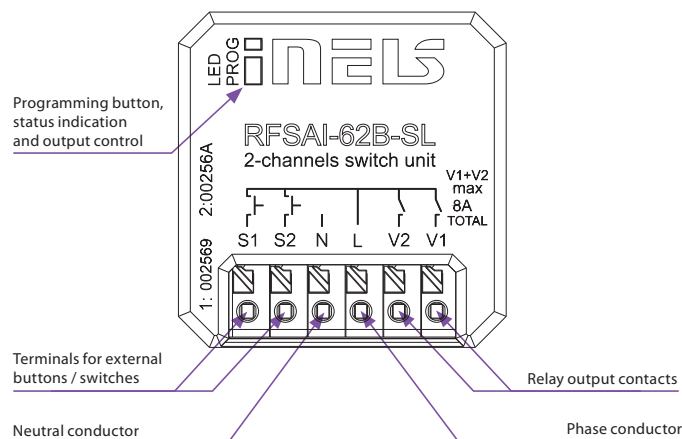
Technical parameters	RFSAI-11B-SL	RFSAI-61B-SL	RFSAI-62B-SL
Supply voltage:	230 V AC		
Supply voltage frequency:	50-60 Hz		
Apparent input:	7 VA / $\cos \varphi = 0.1$		
Dissipated power:	0.7 W		
Supply voltage tolerance:	+10%; -15 %		
<b>Output</b>			
Number of contacts:	1x switching	2xswitching	
Rated current:	8 A / AC1		
Switching power:	2000 VA / AC1		
Peak current:	10 A / <3 s		
Switching voltage:	250 V AC1		
Mechanical service life:	1x10 <sup>7</sup>		
Electrical service life (AC1):	1x10 <sup>5</sup>		
<b>Control</b>			
Wireless:	25-channels	2 x 12-channels	
Number of functions:	1	6	6
Communication protocol:	RFIO2		
Frequency:	866-922 MHz (for more information see p. 70)		
Repeater function:	yes		
Manual control:	button PROG (ON/OFF)		
External button / switch:	yes		
Range:	in open space up to 200 m		
<b>Other data</b>			
Operating temperature:	-15 to +50 °C		
Operating position:	any		
Mounting:	free at lead-in wires		
Protection:	IP40		
Overvoltage category:	III.		
Contamination degree:	2		
Connection:	screwless terminals		
Connecting conductor:	0.2-1.5 mm <sup>2</sup> solid/flexible		
Dimensions:	43 x 44 x 22 mm		
Weight:	31g	45 g	
Related standards:	EN 60730, EN 63044, EN 300 220, EN 301 489		

### Function description

1. Button, impulse relay and time functions of delayed start or return with time setting 2 s-60 min. Any function can be assigned to each output relay.
2. The programming button on the element also serves as a manual input control.

- The switching component with one/two output relays is used to control appliances and lights. Switches/buttons connected to the wiring can be used for control.
- They can be combined with Detectors, Controllers or iNELS RF Control System Components.
- The BOX-SL version offers installation directly in the installation box, ceiling or cover of the controlled appliance. Easy installation thanks to screwless terminals.
- It allows the connection of switched loads with a total sum of 8 A (2,000 W).
- Functions: for RFSAI 61B-SL and RFSAI 62B-SL - pushbutton, impulse relay and time functions of delayed start or return with time setting 2 s-60 min. Any function can be assigned to each output relay. For RFSAI-11B-SL, the button has a fixed function - ON / OFF.
- The external button is assigned in the same way as the wireless one.
- Each of the outputs can be controlled by up to 12/12 channels (1-channel represents one button on the controller). Up to 25 channels for RFSAI-61B-SL and RFSAI-11B-SL.
- The programming button on the component also serves as a manual output control.
- Possibility to set the output status memory in case of failure and subsequent power recovery.
- The elements of the repeater can be set for the components via the RFAF / USB service device, PC, application.
- Range up to 200 m (outdoors), in case of insufficient signal between the controller and the device, use the RFRP-20 signal repeater or component with the RFIO2 protocol that support this function.
- Communication with bidirectional RFIO2 protocol.
- The contact material of the AgSnO<sub>2</sub> relay enables switching of light ballasts.

### Device description



### Connection

